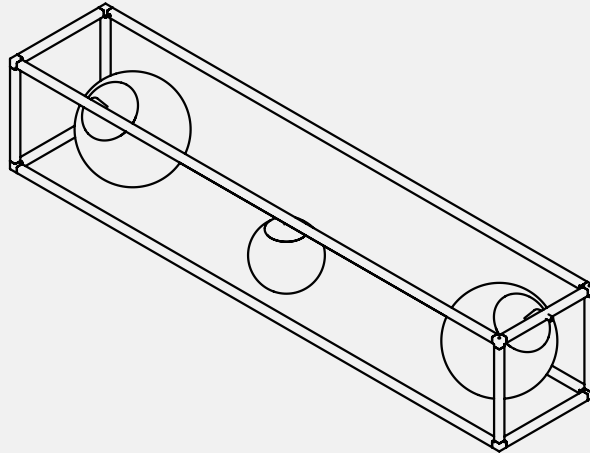


# Rich Brilliant Willing



Shown: RGW-3

## Witt 3

### Designer

David Rockwell

### Year Designed

2016

### Description

Chandelier

### Country of Manufacture

USA

### Materials

Steel frame, satin opal globes

### Certification



### Product Codes SKU

RGW-3

\*for 220V input append -220 to SKU

### Lamping

3 x 8.5W LED

2700K typ. CCT

630 Lumen source min 80 CRI

### Specifications

25.5 Watt

120V Input 50/60Hz (US & CAN)

220V Input 50/60Hz (Optional)

1500 Lumens delivered

### Dimming

Triac Dimming 10-100%

Recommended Wall Switch

Lutron DVCL-153P

### Dimensions

72 x 18 x 22 in H

1830 x 450 x 570 cm H

### Product Weight

26 lb. / 11.8 kg.

### Cord Length

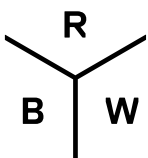
72in / 1829mm

Custom length available

### Suspension

4 x 1.2mm braided steel cable

Canopy - 5" / 127 mm



triode<sup>3</sup> design

28, rue Jacob 75006 Paris

+33 (0)1 43 29 40 05

contact@triodedesign.com

www.triodedesign.com